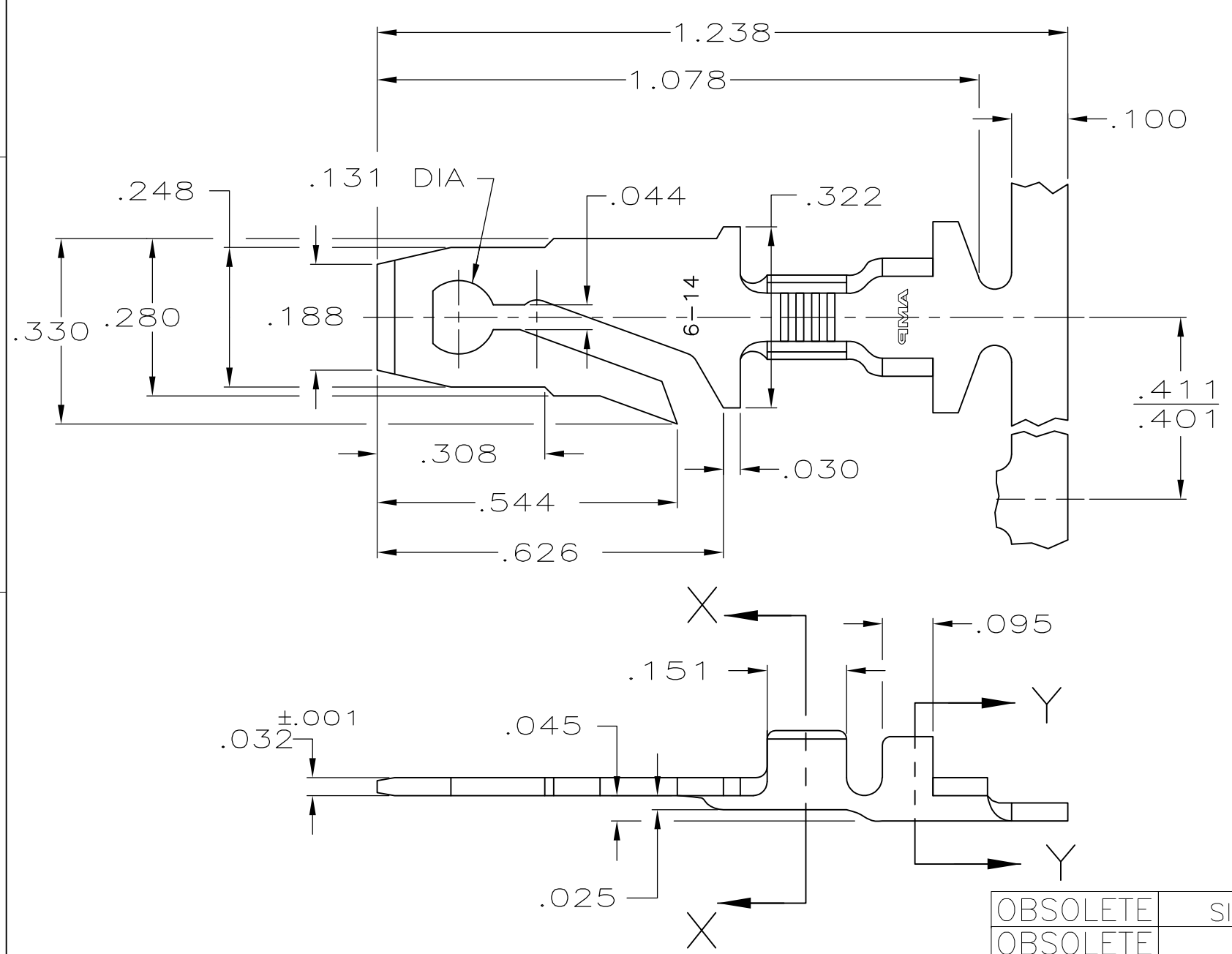
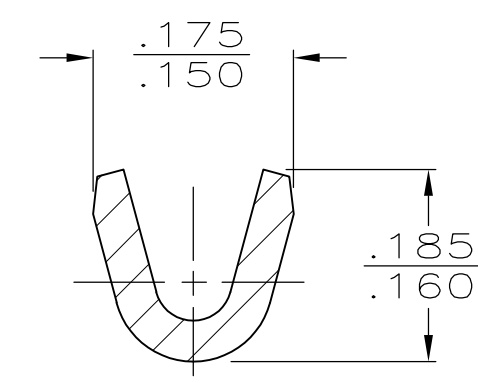


THIS DRAWING IS UNPUBLISHED. RELEASED FOR PUBLICATION  
 © COPYRIGHT - By - ALL RIGHTS RESERVED.

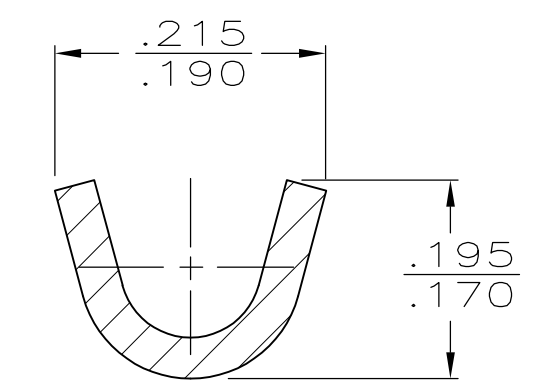
LOC	DIST	REVISIONS					
AF	50	P	LTR	DESCRIPTION	DATE	DWN	APVD
		W		REVISED PER ECR-13-011489	06DEC2013	KH	PD



1 CONTINUOUS STRIP ON REELS.



SECTION X-X  
SCALE 8:1



SECTION Y-Y  
SCALE 8:1

OBSOLETE	SILVER OILED	.090-.130	16-14	-60794-4-
OBSOLETE	SILVER	.090-.130	16-14	-60794-3-
	TIN	.090-.130	16-14	60794-2
OBSOLETE	-	.090-.130	16-14	-60794-1-
	FINISH	INSUL RANGE	WIRE SIZE	PART NO

THIS DRAWING IS A CONTROLLED DOCUMENT.		DWN	JR RUTH	11/8/88	<b>STE</b> TE Connectivity											
DIMENSIONS: INCHES		CHK	MS FEHER	11/8/88												
TOLERANCES UNLESS OTHERWISE SPECIFIED:		APVD	C MEYERS	11/8/88												
<table border="0"> <tr><td>0 PLC</td><td>± -</td></tr> <tr><td>1 PLC</td><td>± -</td></tr> <tr><td>2 PLC</td><td>± -</td></tr> <tr><td>3 PLC</td><td>± .015</td></tr> <tr><td>4 PLC</td><td>± -</td></tr> <tr><td>ANGLES</td><td>± -</td></tr> </table>		0 PLC	± -	1 PLC		± -	2 PLC	± -	3 PLC	± .015	4 PLC	± -	ANGLES	± -	PRODUCT SPEC	
0 PLC	± -															
1 PLC	± -															
2 PLC	± -															
3 PLC	± .015															
4 PLC	± -															
ANGLES	± -															
MATERIAL: BRASS		FINISH: SEE TABLE		TAB, FASTON,™ .250 SERIES												
		APPLICATION SPEC	114-2029		SIZE											
		WEIGHT	-		CAGE CODE											
		CUSTOMER DRAWING		SCALE	4:1											
				SHEET	1 OF 1											
				REV	W											
				DRAWING NO	C-60794											
				RESTRICTED TO	-											